

Quick Start Guide

S31 PCIe Extension System

1. Please download and review the latest User's Guide from <http://www.adnacom.com/s31/>
2. Follow the installation instructions in Section 5, *System Installation*.
3. It is recommended to disable PCI Express Power Management. The instructions for Windows can be downloaded from <http://www.adnacom.com/s31/>
4. Overclocking is not supported. The PCI Express clock frequency must be set to either the default value or 100MHz in the BIOS.
5. If you experience any problems, please review Section 10, *Troubleshooting*.

Valid Cable Connections

Table 1. Valid Cable Connections.

H18 Cable Port	Number of QSFPs	Connection
One port x8	2 See Figure 1	H18 QSFP 1 to R34 QSFP 1 H18 QSFP 2 to R34 QSFP 2
	1 See Figure 2	H18 QSFP 1 to R34 QSFP 1 Unplug unused transceivers and cables from the QSFP 2 connectors on the H18 and R34.
Two ports x4	2 See Figure 3	H18 QSFP 1 to R34 1 QSFP 1 H18 QSFP 2 to R34 2 QSFP 1
	1 See Figure 3	H18 QSFP 1 to R34 QSFP 1 or H18 QSFP 2 to R34 QSFP 1

Figure 1 H18 One Cable Port x8 with Two Cables

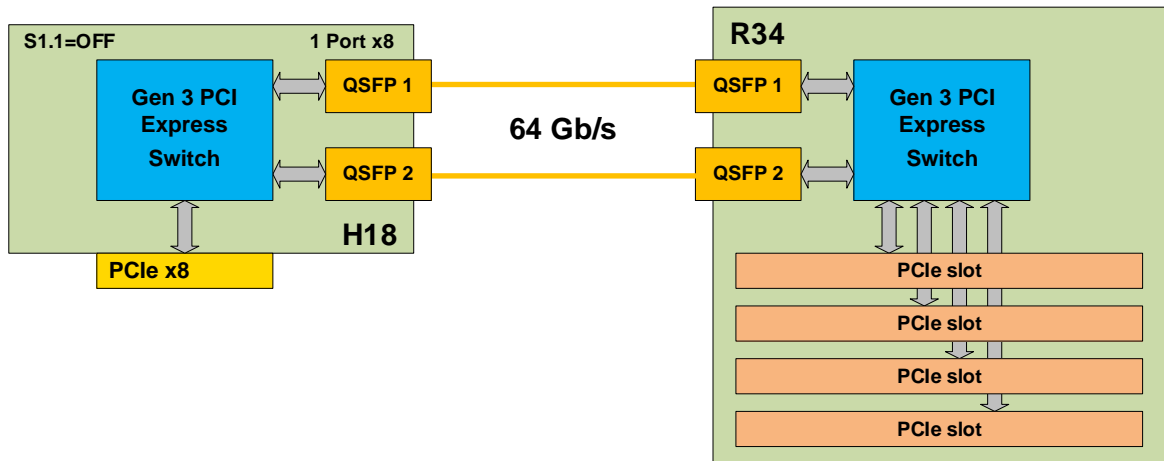


Figure 2 H18 One Cable Port x8 with One Cable

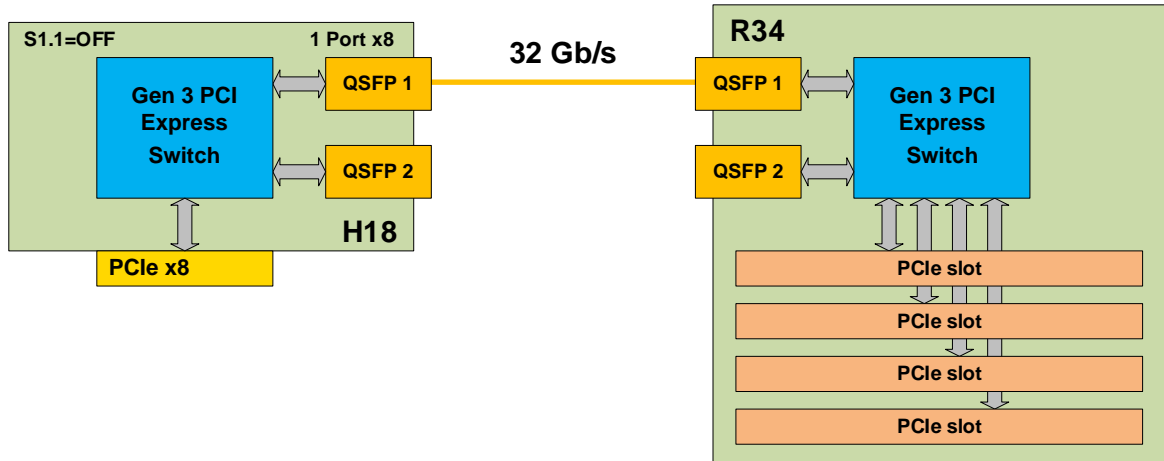


Figure 3 H18 Two Cable Ports x4 with Two Cables

